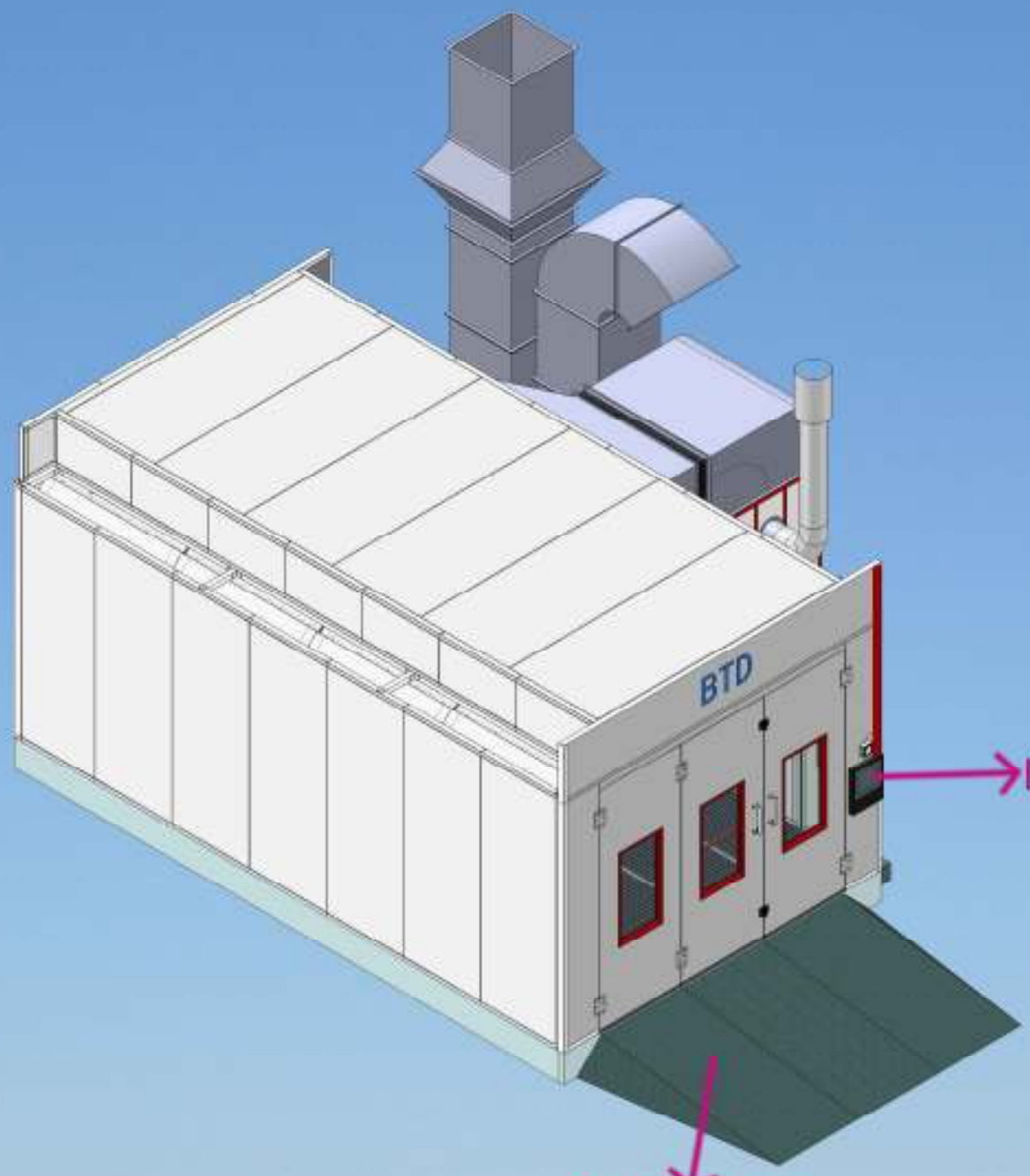


BTD

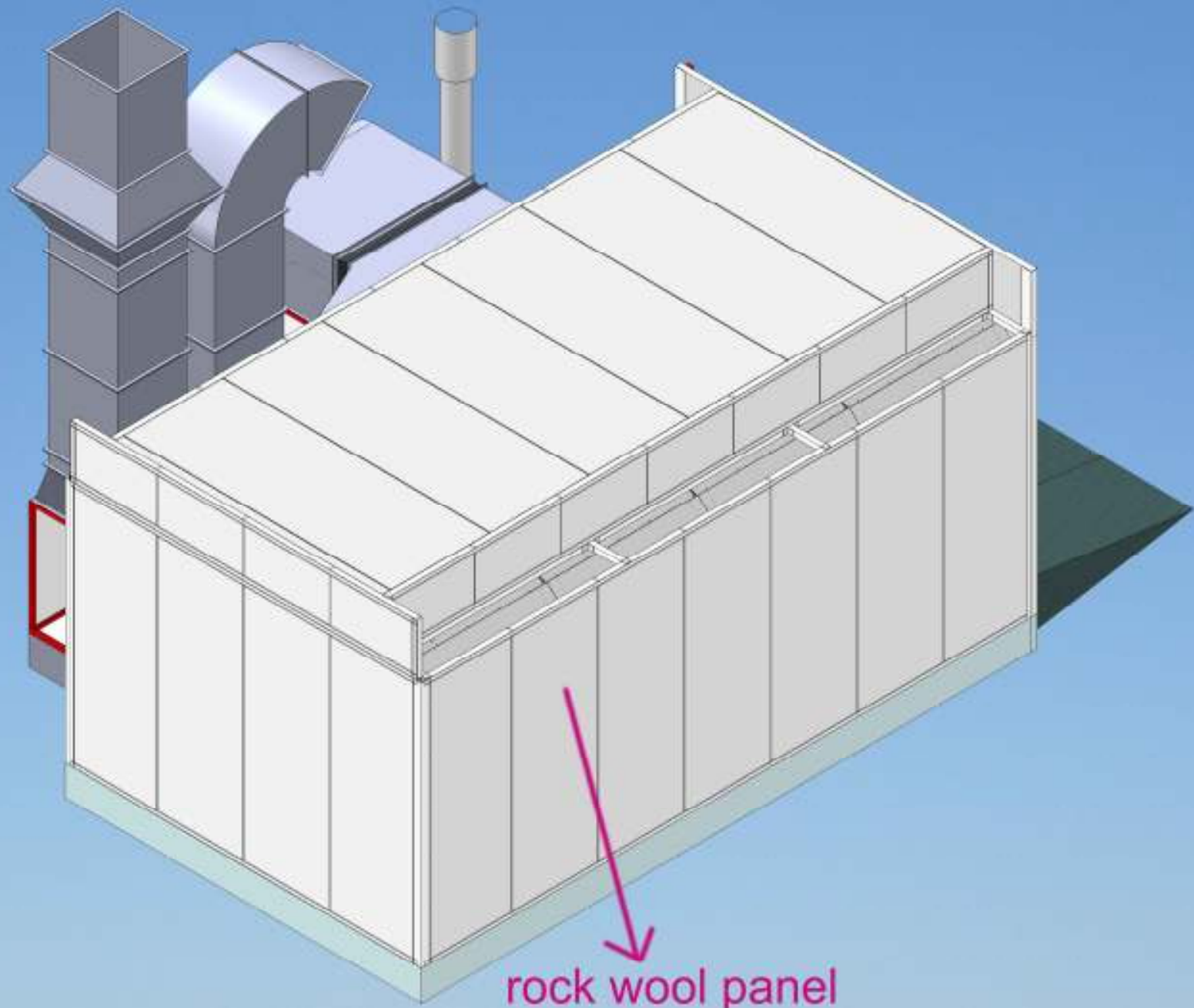
two rangers Diesel burner

big control box with frequency converter control system

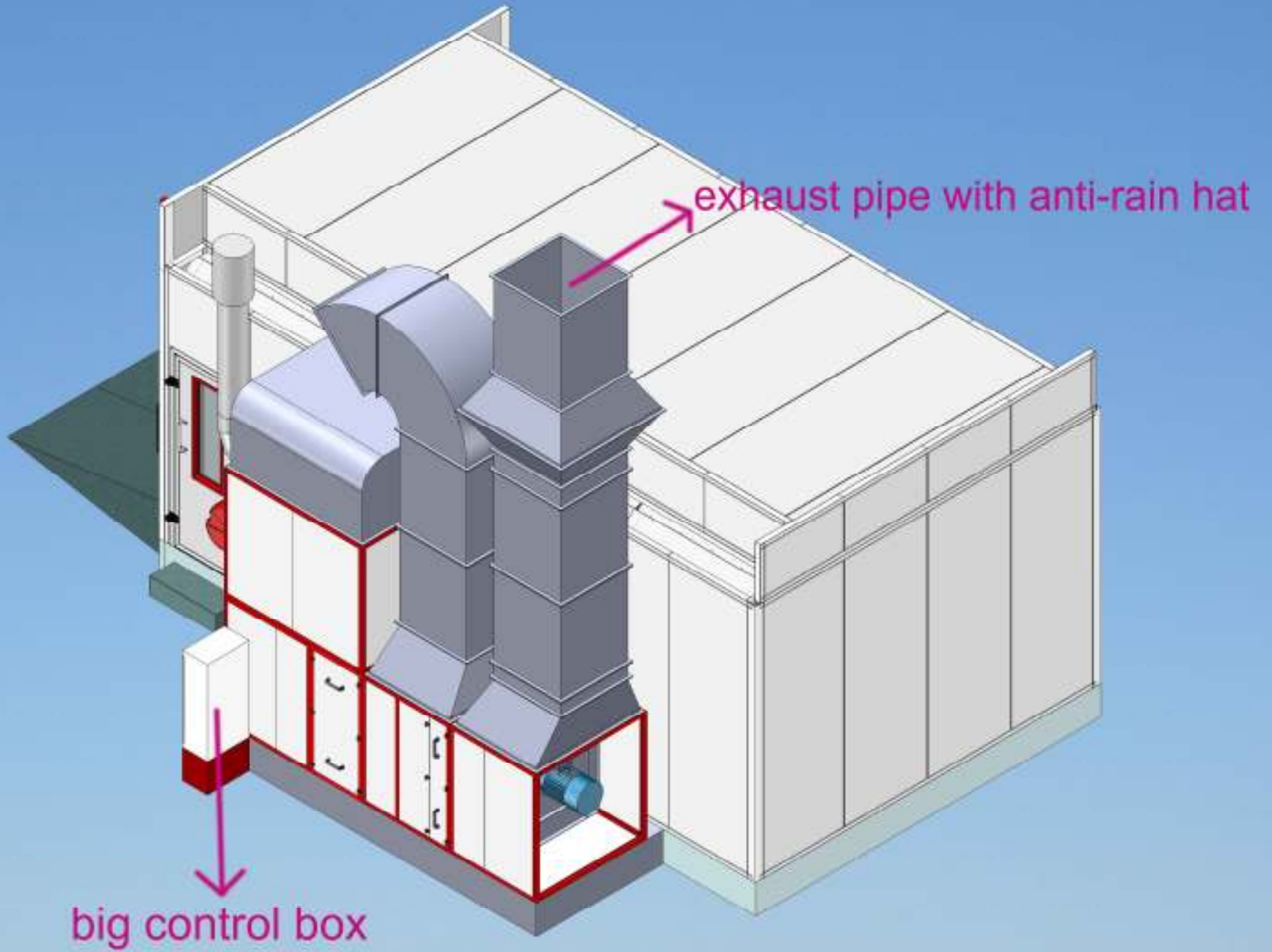


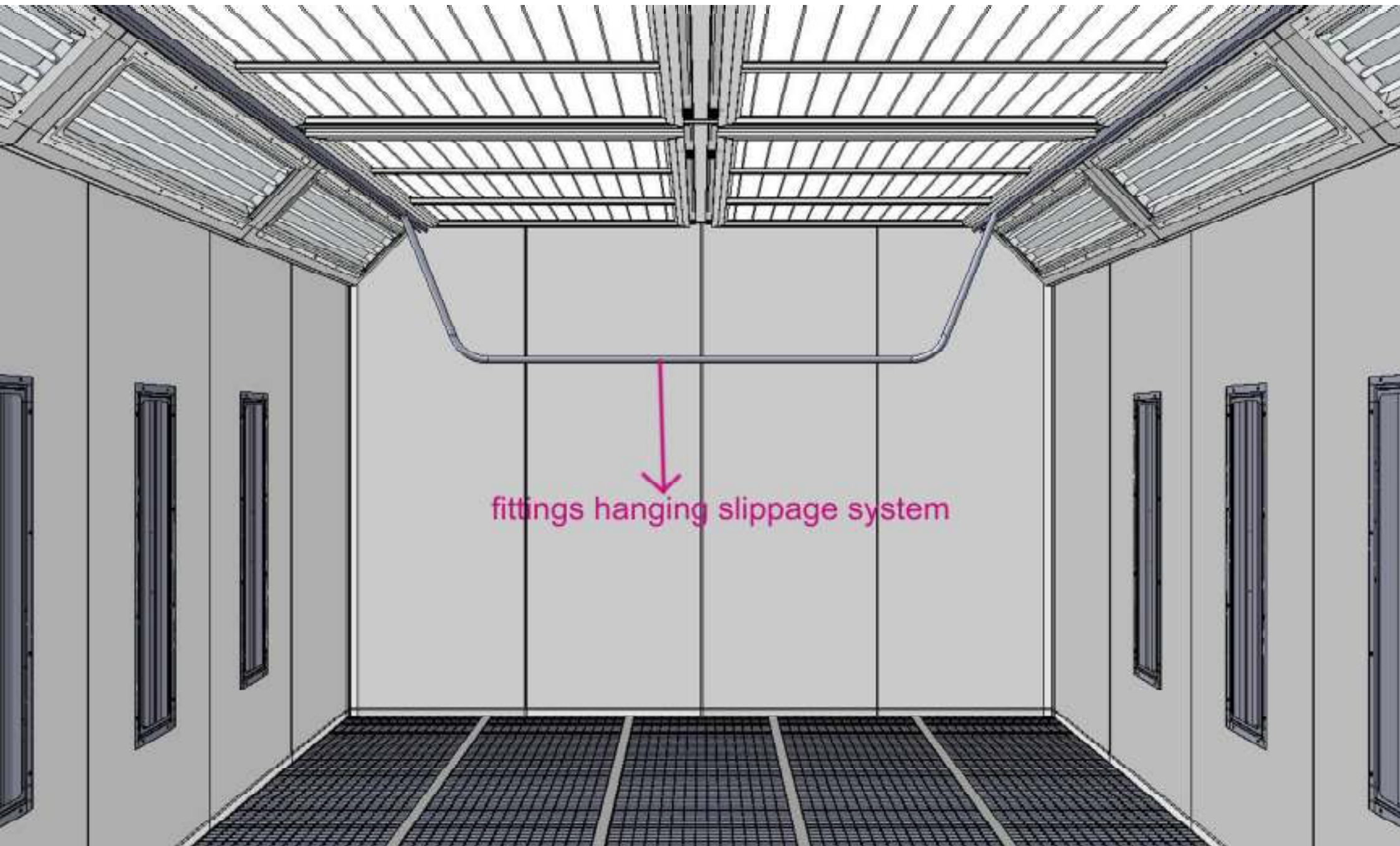
→ IC MCU touching panel

↓ full ramps



rock wool panel





fittings hanging slippage system

